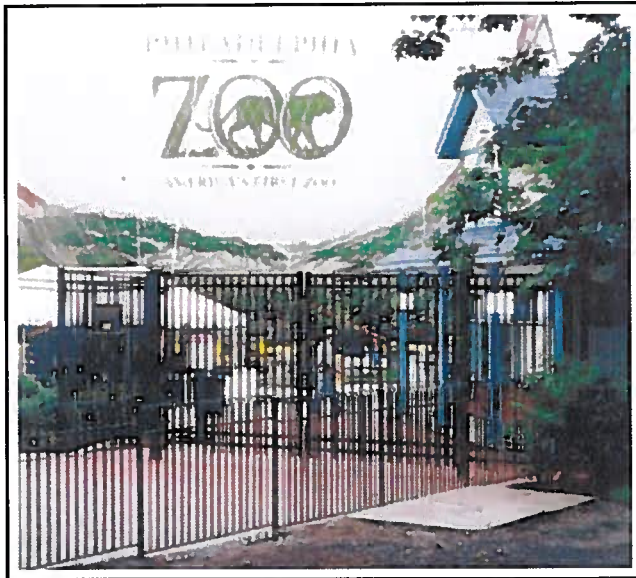


APPLICATION PROFILE



ENCLOSURES WITHSTAND HEAVY HOOF TRAFFIC

The ZooBalloon, a giant helium balloon that takes passengers high in the air to enjoy views of the surrounding area, is one of the newest attractions at the Philadelphia Zoo. Installed in 2001, the ZooBalloon is anchored just inside the main gate.

Making room for the zoo's new attraction was a logistical challenge. An aging monorail system had to be torn down, cables for a closed-circuit television system had to be relocated underground and new high voltage underground electrical services had to be installed.

QUAZITE® precast polymer concrete utility enclosures were used by both the engineering firm that designed the zoo's new communications infrastructure and the electrical contractor who put in the new electric lines. Both companies had used the enclosures in previous installations and knew that QUAZITE® lived up to its reputation as the strongest and safest enclosure on the market.

Both companies also chose QUAZITE® because the enclosures are lightweight, easy to install, nonconductive and UV and corrosion resistant.

QUAZITE® enclosures ranging in size from 17" x 30" to 48" x 48", were installed throughout the park to provide access to the new services. The enclosures had to support both heavy pedestrian traffic and the occasional non-deliberate weight of the zoo's trash truck, so extra-heavy-duty covers were used on the boxes. The boxes and covers have a design load of 22,568 lbs. and a test load of 33,750 lbs. That's enough strength to support the weight of two full-grown African elephants!

NOTE: Because Hubbell has a policy of continuous product improvement, we reserve the right to change design and specifications without notice.



QUAZITE®'s high strength polymer concrete construction will provide protection to both the underground services and the zoo's staff and visitors for years to come.

TECHNICAL DATA

Product:	Utility Enclosures
Process:	Closed mold casting utilizing matched surface tooling
Materials:	QUAZITE® precast polymer concrete
Size:	PG1730 — 17" x 30" PG4848 — 48" x 48"
For:	Philadelphia Zoo

QUAZITE®
 3621 Industrial Park Drive
 Lenoir City, TN 37771
 Phone: 800-346-3062 or 865-986-9726
 Fax: 865-986-0585
 Web: <http://www.quazite.com>
 e-mail: hpsliterature@hps.hubbell.com





APPLICATION PROFILE

UTILITY SHIFTS FROM OVERHEAD TO UNDERGROUND DISTRIBUTION WITH QUAZITE®

Few things can ruin a good view like overhead electric lines. Electric utilities across the country are feeling the pressure to move from overhead to underground distribution, especially where increasing property values are a factor.

Santee Cooper Power, an electric utility that serves the South Carolina coastal region, is one of those utilities making the move to underground distribution. The utility is in the midst of a three-year project to install underground electric lines along a section of beachfront property in Myrtle Beach, South Carolina. The move will not only improve the look of the area, but it will also reduce the number of outages caused by the severe weather that sometimes affects the coastline.

The power lines that once hung overhead along the beachfront are now concealed underground and Santee Cooper is installing QUAZITE® underground enclosures to provide access to the lines. The enclosures actually take the place of the unattractive above-ground sectionalizing cabinets typically used for this application — an aesthetic benefit that everyone can appreciate. The 36" x 72" boxes with heavy duty covers contain brackets of six-way junctions that the utility can use to switch power on and off to individual circuits. The angled brackets allow linemen to safely connect and disconnect the junctions from the sidewalk rather than from down inside the box itself.

The extremely strong, durable and nonconductive QUAZITE® enclosures will provide Santee Cooper linemen safe access to the underground lines for many years to come, and the heavy duty covers will withstand even the heaviest foot traffic.

TECHNICAL DATA

Product: Utility Enclosures

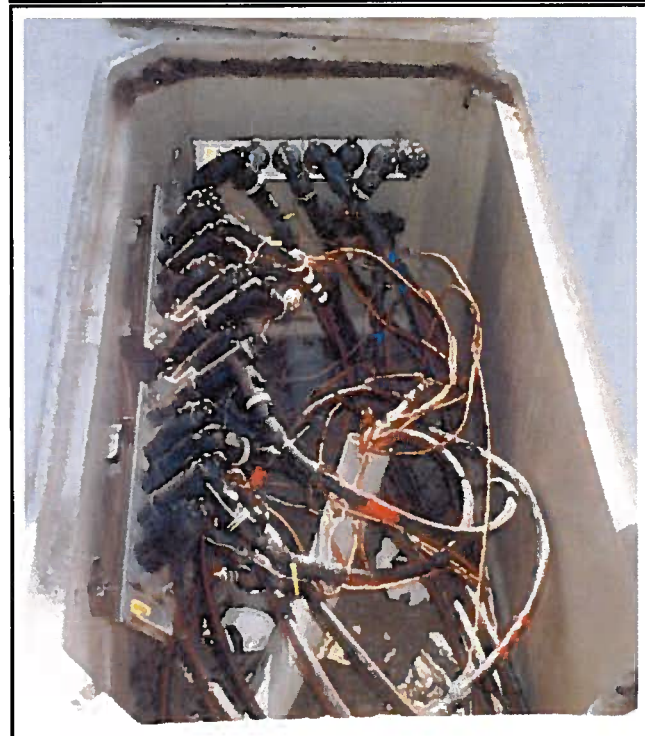
Process: Closed mold casting utilizing matched surface tooling

Materials: QUAZITE® precast polymer concrete

Size: PG3672 — 36" x 72"

For: Santee Cooper Power

QUAZITE®
3621 Industrial Park Drive
Lenoir City, TN 37771
Phone: 800-346-3062 or 865-986-9726
Fax: 865-986-0585
Web: <http://www.quazite.com>
e-mail: hpsliterature@hps.hubbell.com

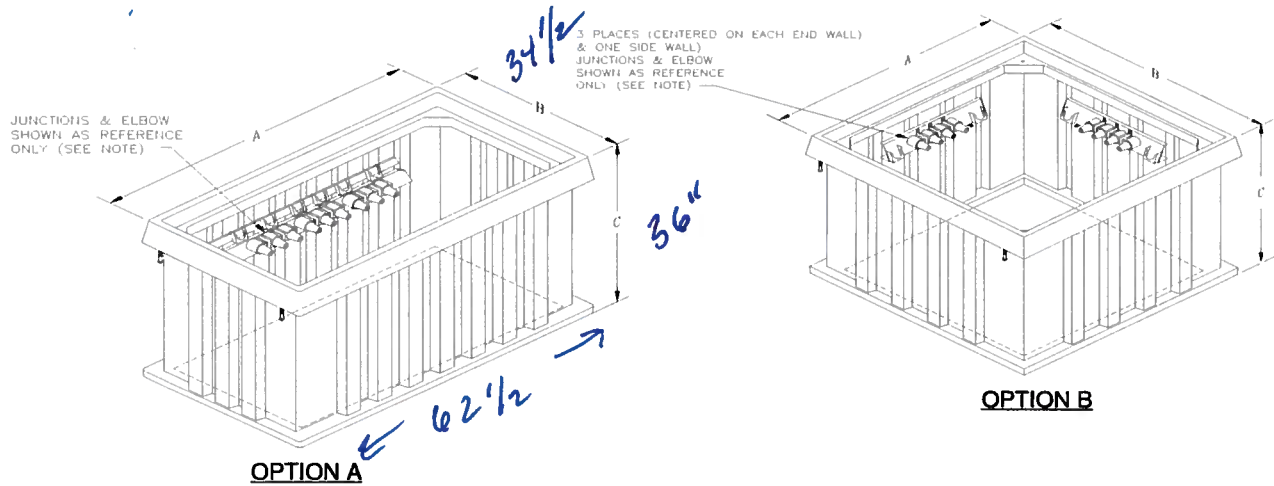
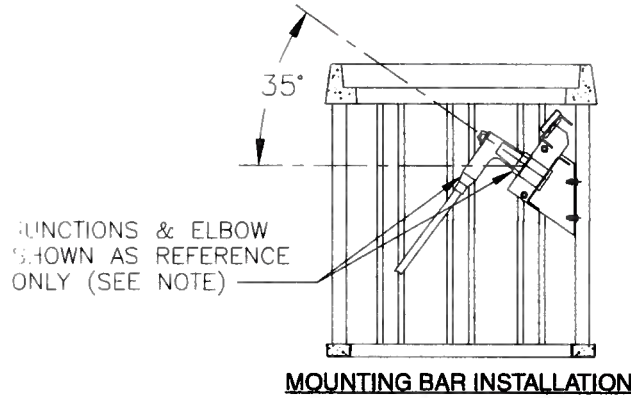


NOTE: Because Hubbell has a policy of continuous product improvement, we reserve the right to change design and specifications without notice.



APPLICATION PROFILE QZ-1517 SECTIONALIZING ENCLOSURES

Dimensions / Data CORRUGATED BELOW GRADE SECTIONALIZING VAULTS - 3 PHASE



VAULT DRAWINGS

Corrugated Below Grade Sectionalizing Vaults – 3 Phase Box

A	B	C	OPTION	WEIGHT	PALLET QTY	PART NO.
62 1/2	34 1/2	36	A	263	1	B1A3060509
62 1/2	34 1/2	48	A	286	1	B1A3060510
52 7/8	52 7/8	36	B	301	1	B1A4848510
52 7/8	52 7/8	48	B	327	1	B1A4848511

NOTE: Factory installed junctions available by customer request.
Tier 15 & Tier 22 ratings are available. Contact customer service for further details.

Corrugated Below Grade Sectionalizing Vaults – 3 Phase Cover

DESCRIPTION	TIER	DESIGN/TEST LOAD	WEIGHT	PALLET QTY	PART NO.
w/ 2 bolts	8	8,000 / 12,000	165	3	C1A306003A
w/ 2 bolts	8	8,000 / 12,000	165	3	C1A484803A

NOTE: Ultralight removable covers are available. Contact customer service for further details.

